



[Custom
Molded
Rubber](#)



[Custom
Colors!!](#)

[Home](#)

[About PacTec](#)

[Contact Us](#)

Login

[Click Here to Register](#)

Username

Password

[Forget your login info?](#)

[View Cart \(0\)](#)

[Advanced Search](#)

[Connector Search](#)

News

Sign up for our latest news and new product updates!

Email:

LH84-200

External Dimensions: 4.2 x 8.1 x 2.2 in.

PCB Dimensions: 3.7 x 7.6 x 2.2 in.

Colors: Black
PC Bone

Materials: ABS-94HB
[Material Specs](#)

Components:

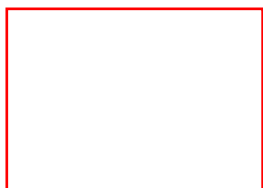
- Top and Bottom Covers
- Assembly Screws
- 2 Panels
- 4 Feet



[Custom Colors!!](#)



[Free Samples of
New Products Available!](#)



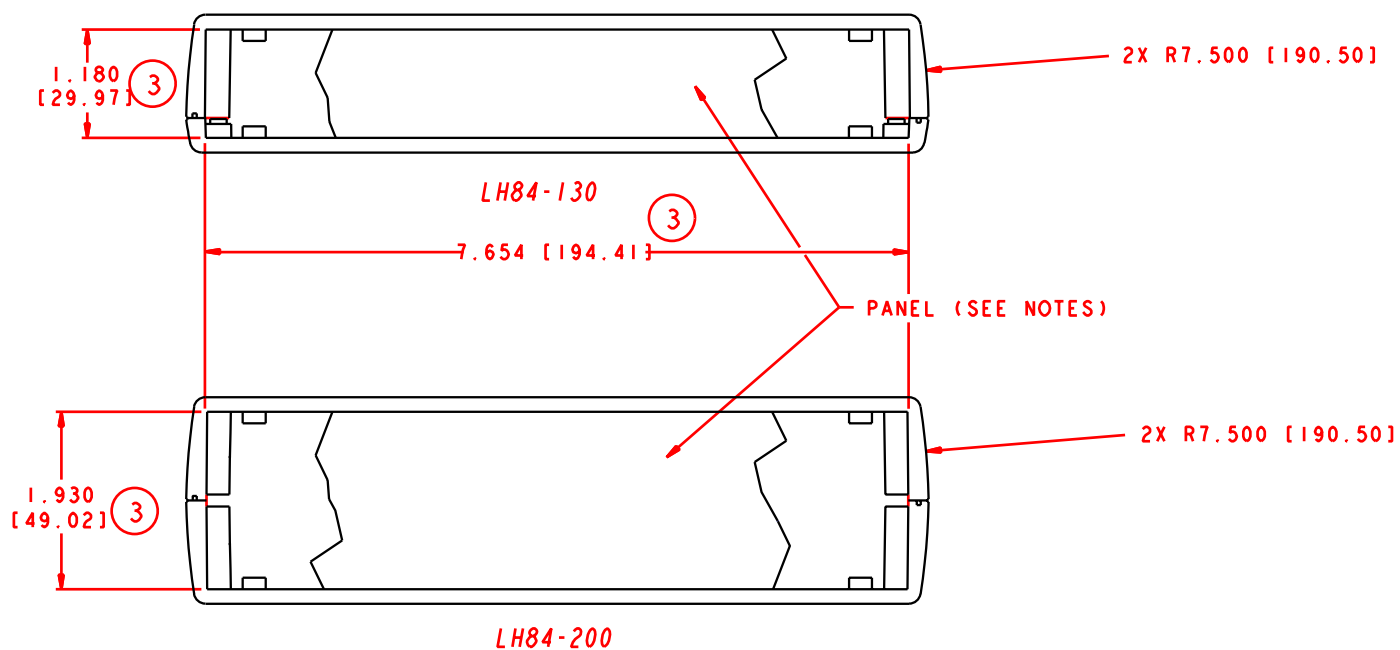
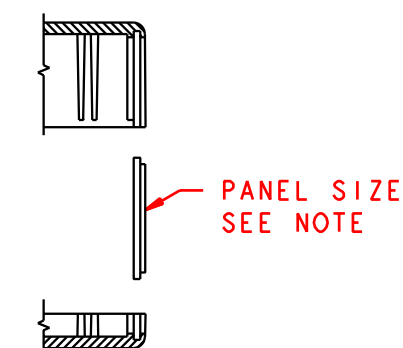
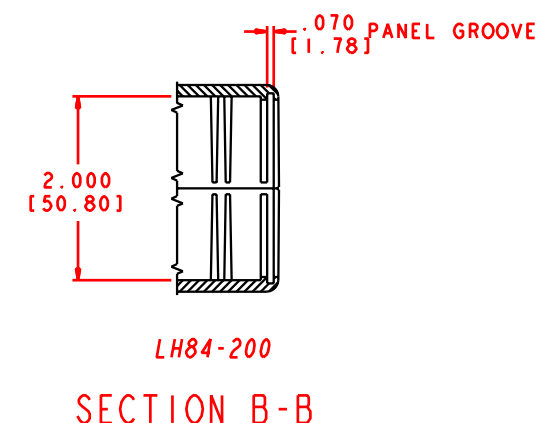
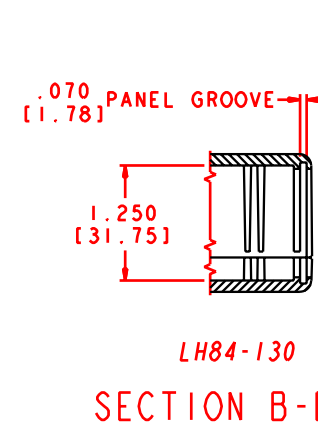
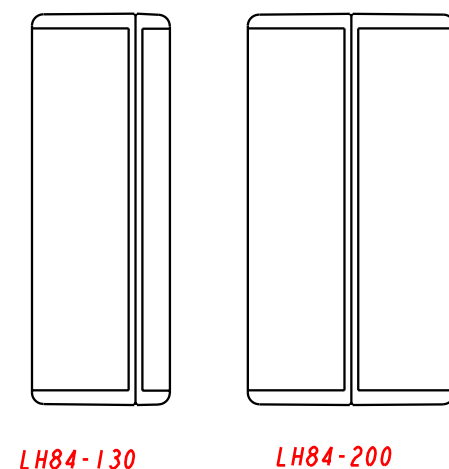
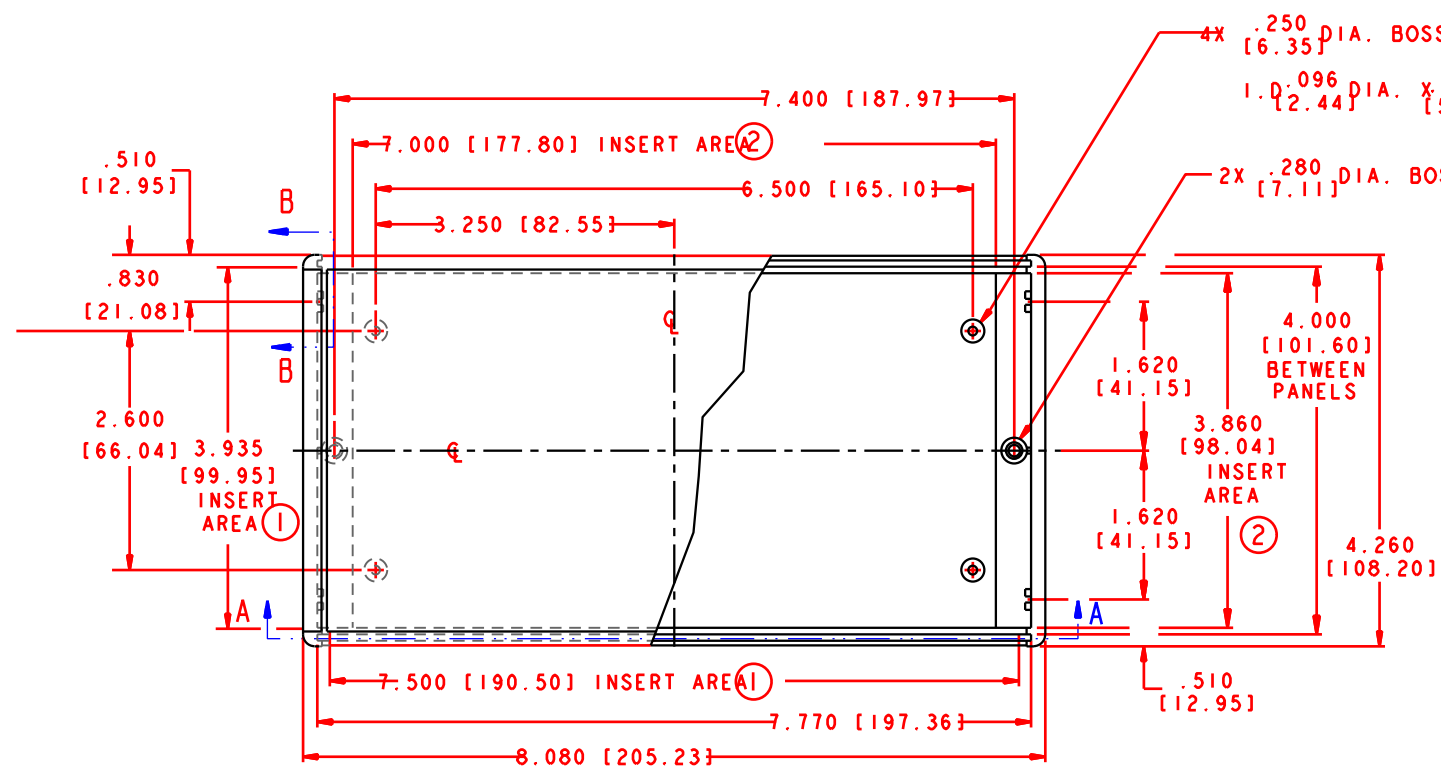
Copyright 2002-2005 © PacTec Divison of LaFrance Corp. All Rights Reserved.

[Privacy
Policy](#)

| [Shipping
Policies](#)

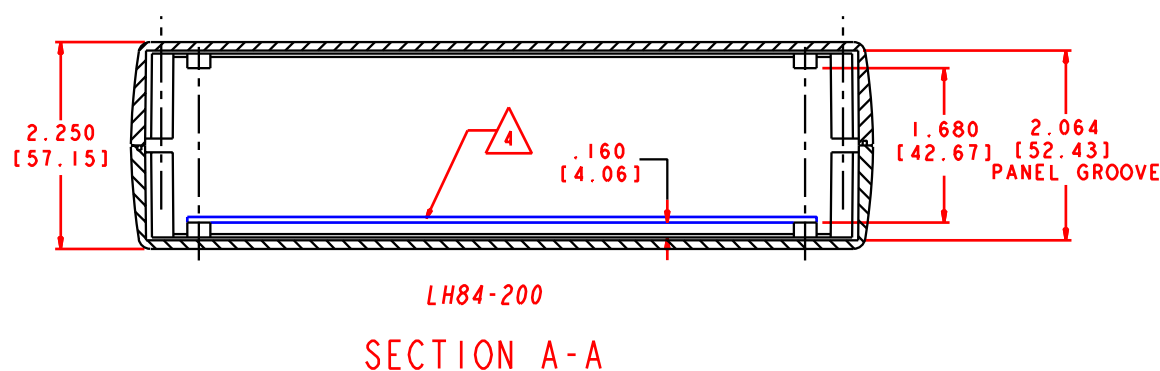
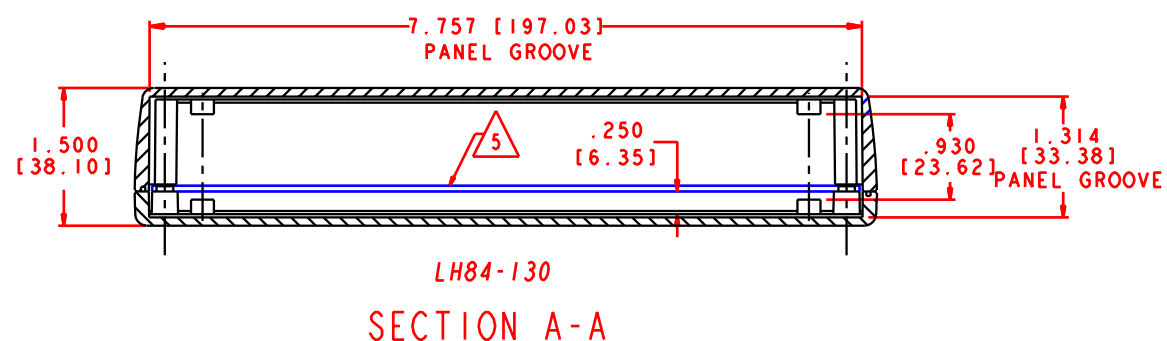
| [Return
Policies](#)

| [Site
Map](#)



NOTES:

- PANEL SIZE: (FRONT AND REAR)**
 LH84-130 1.307±.005 [33.20±0.13] H X 7.755±.005 [196.98±0.13] W X .062±.005 [1.57±0.13] THK., IN PANEL GROOVE AREA.
 LH84-200 2.057±.005 [53.25±0.13] H X 7.755±.005 [196.98±0.13] W X .062±.005 [1.57±0.13] THK., IN PANEL GROOVE AREA.
- ① EXTERIOR INSERT AREA, FOR IN MOLD MODIFICATION. TYPICAL ON TOP AND BOTTOM COVERS.
 - ② INTERIOR INSERT AREA, FOR IN MOLD MODIFICATION. TYPICAL ON TOP AND BOTTOM COVERS.
 - ③ USABLE PANEL AREA.
 - ④ P.C. CARD 3.950 [100.33] L X 7.000 [177.80] W .062±.005 [1.57±0.13] THK.
 - ⑤ P.C. CARD 3.950 [100.33] L X 7.700 [195.58] W .062±.005 [1.57±0.13] THK.



PACINTEC®

LH84-130 & LH84-200

www.pactecenclosures.com

1-610-361-4231